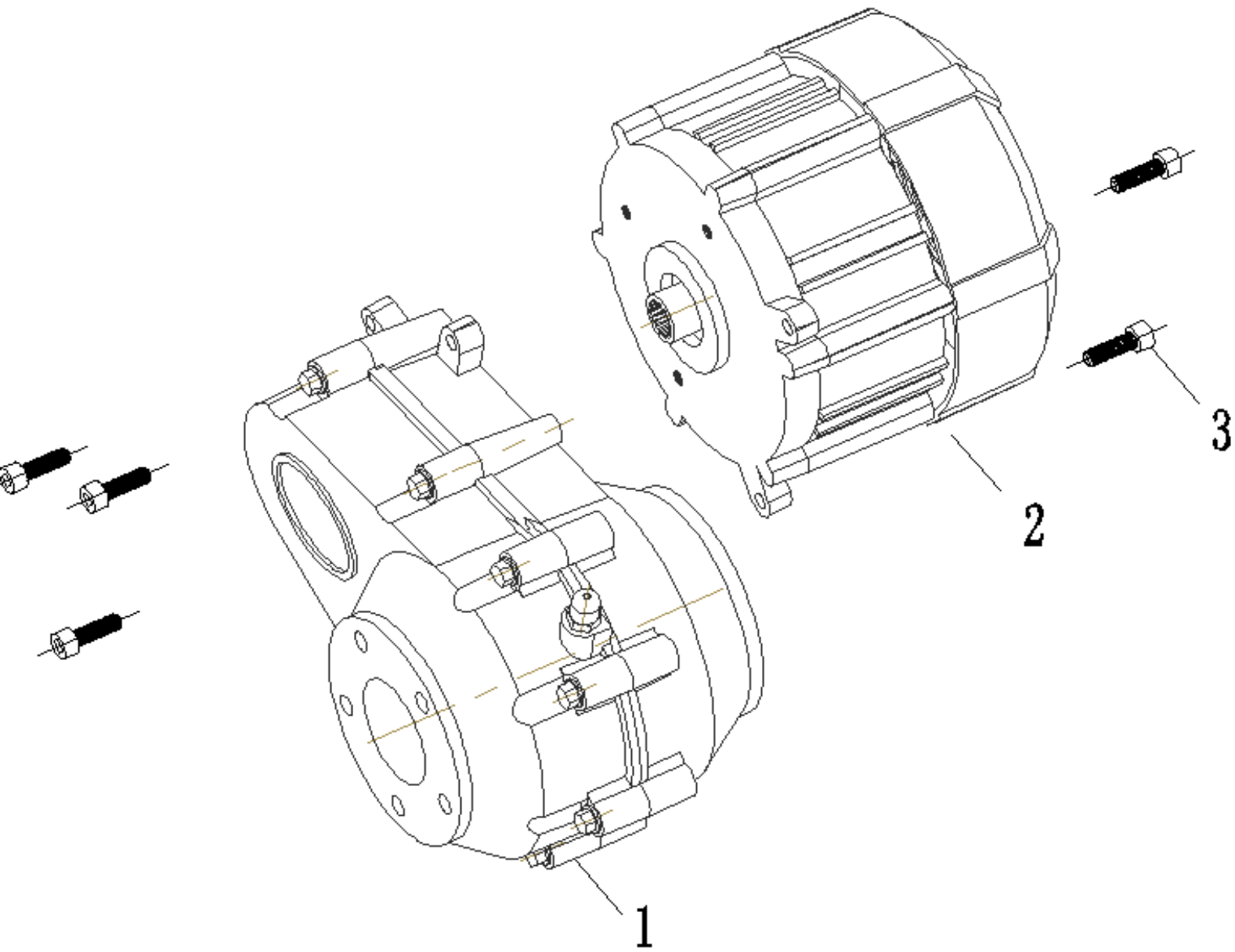
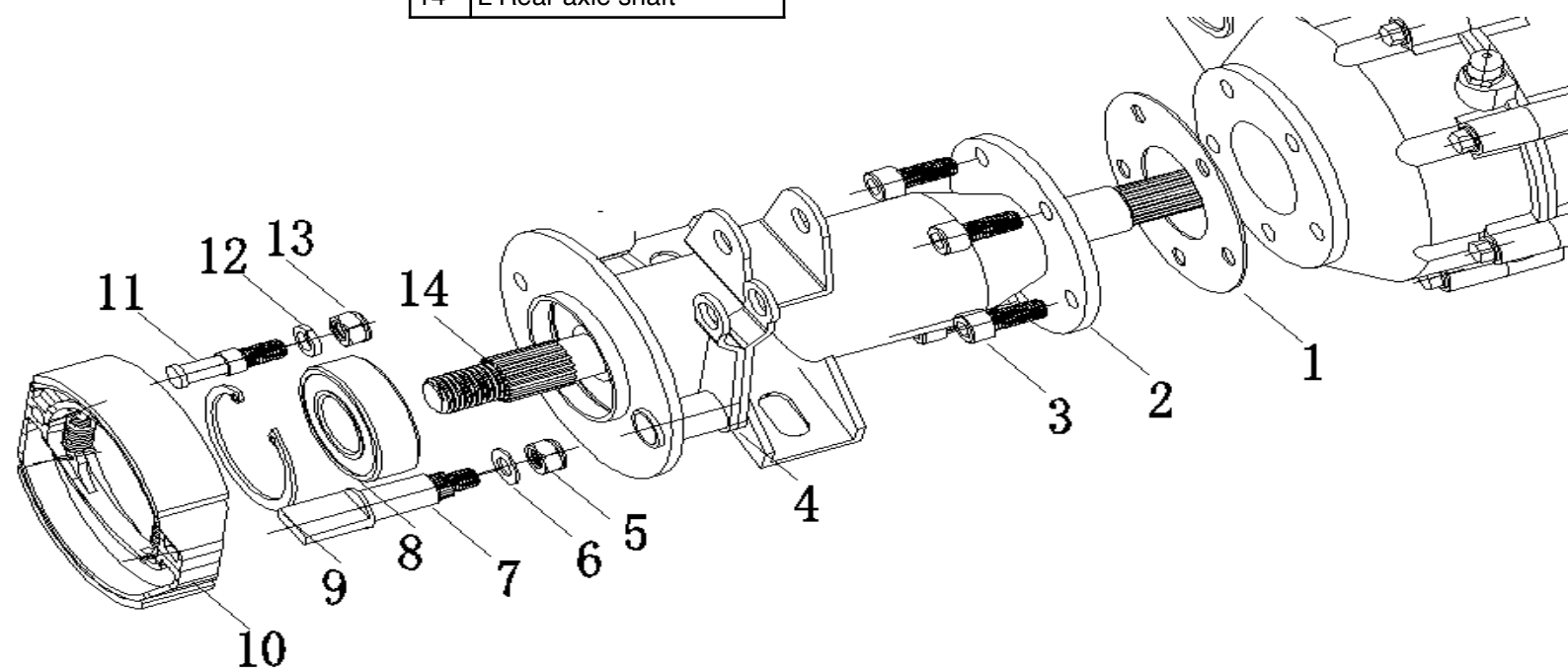


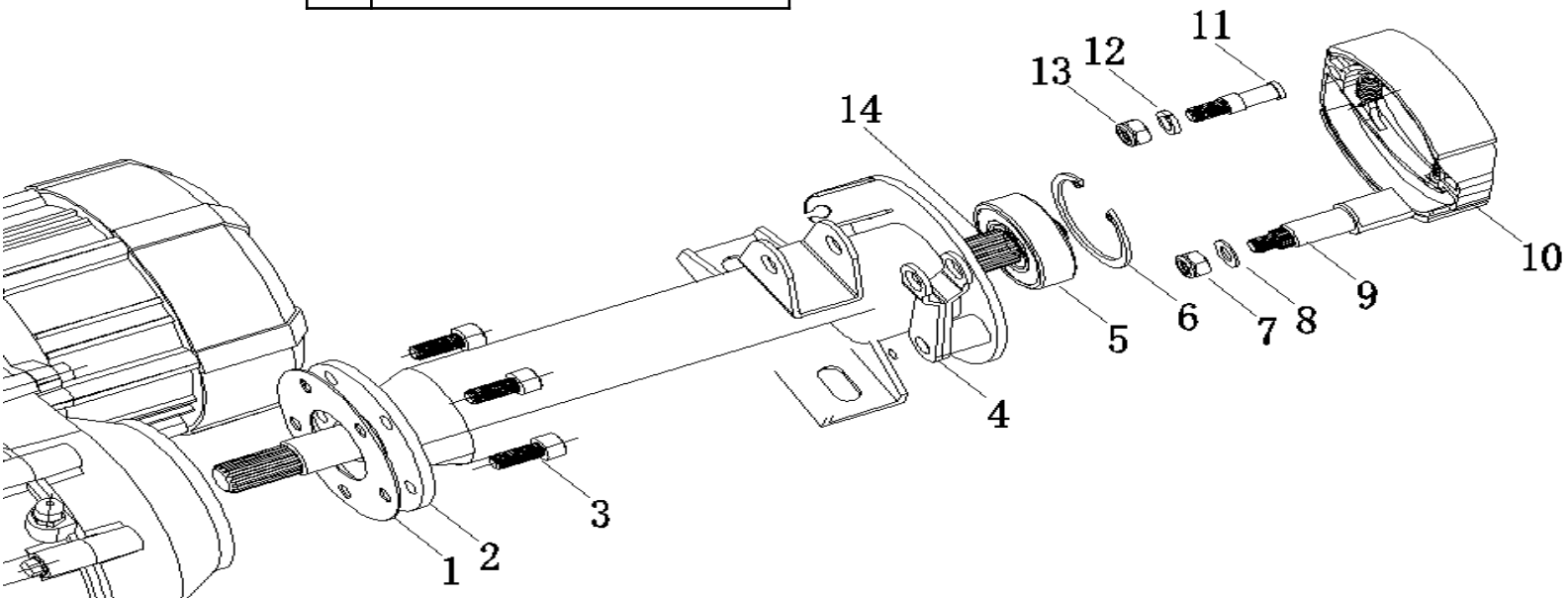
- 1. Gear box
- 2. Motor



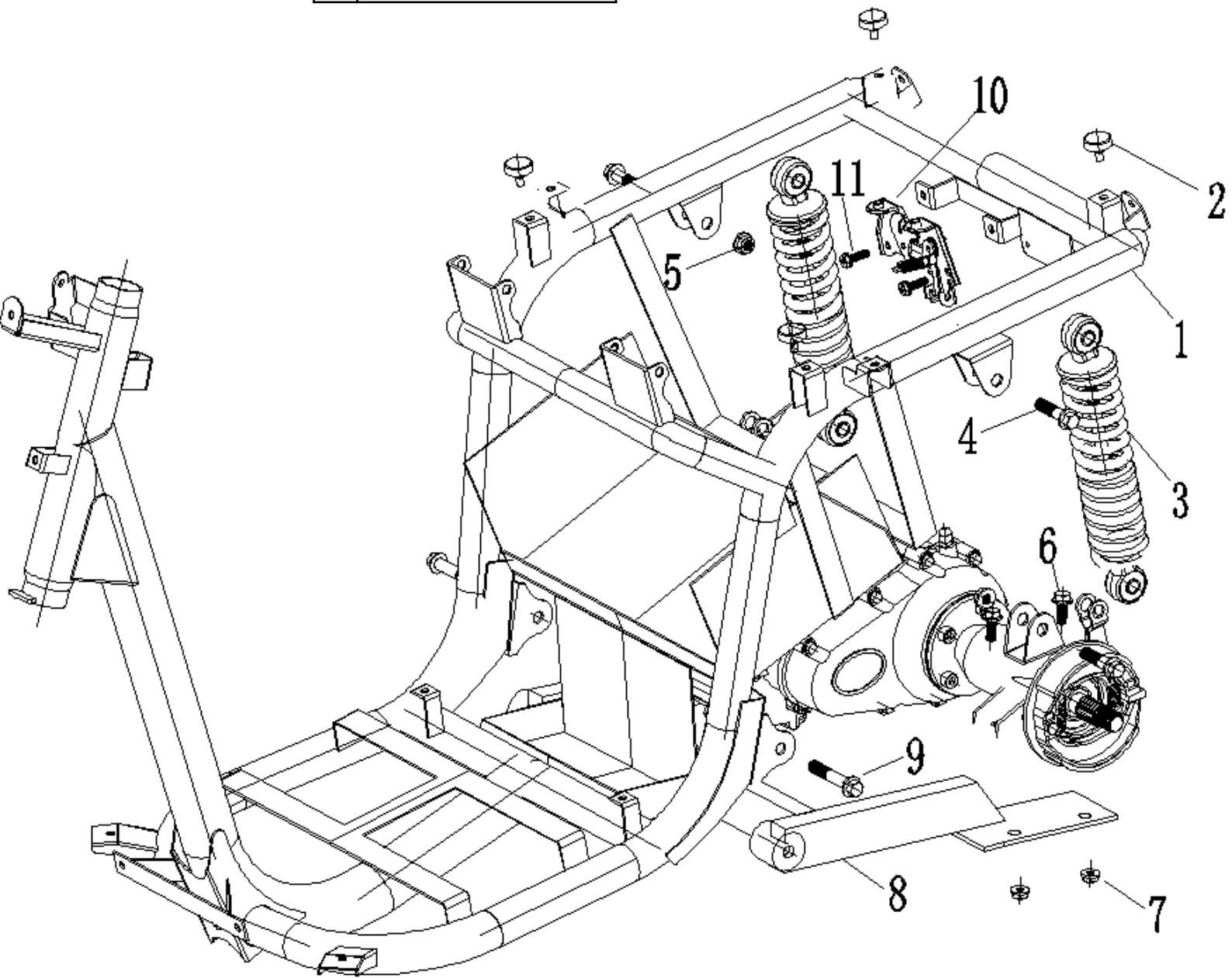
1	Rear axle Sealing ring
2	L.rear axle
4	Brake arm
6	Plain washer $\phi 8$
7	Brake rocker arm shaft
8	BearingGB276
9	Bearing circlip
10	Brake pads
11	Brake pad fixed shaft.
12	Spring washer $\phi 8$
13	Lock nut M8
14	L Rear axle shaft



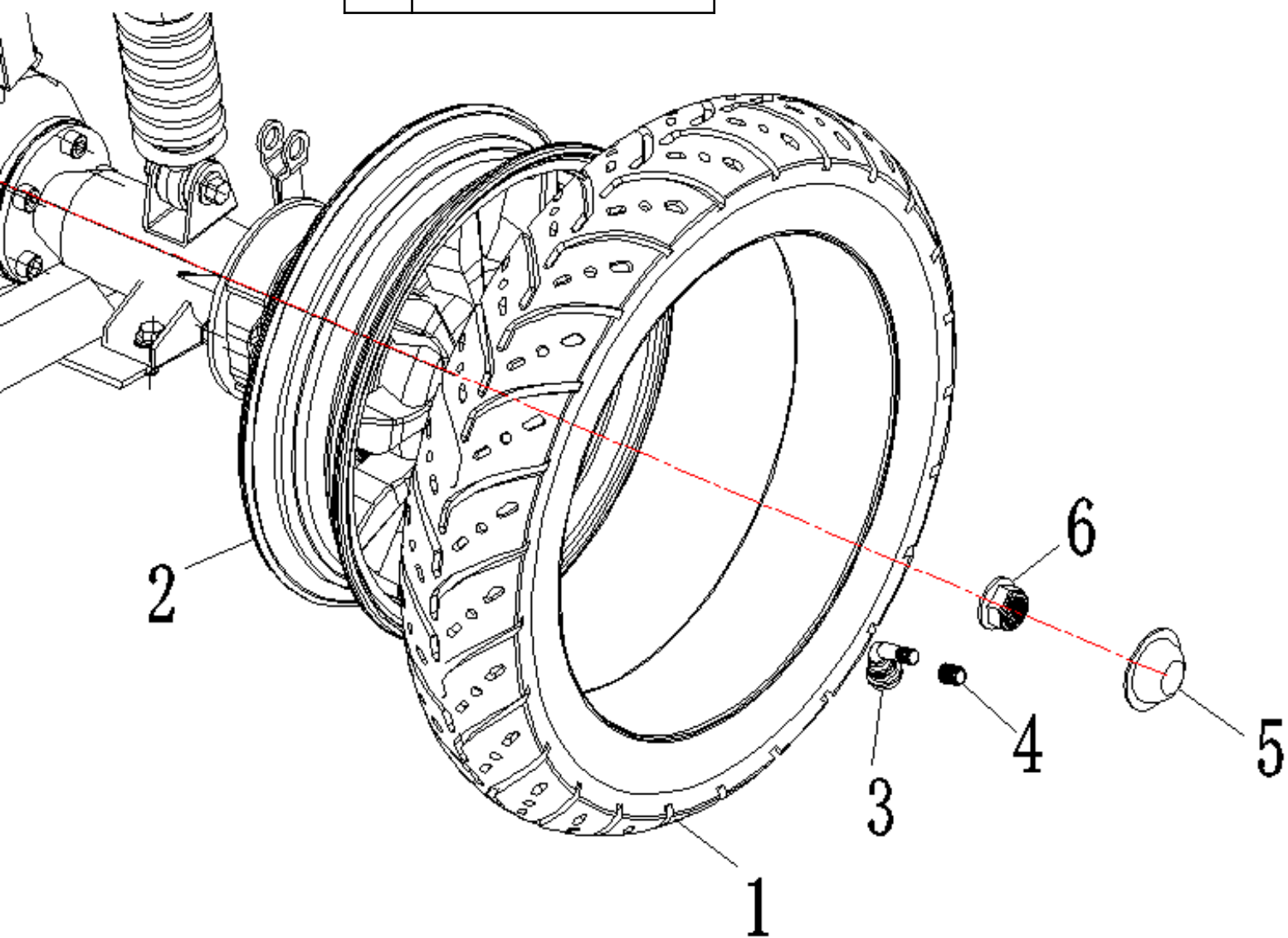
2	R.rear axle
3	Socket bolt M8x20
4	Brake arm
5	BearingGB276
6	Bearing circlip
7	Lock nut M8
8	Plain washer $\phi 8$
9	Brake rocker arm shaft
10	Brake pads
11	Brake pad fixed shaft.
12	Spring washer $\phi 8$
13	Lock nut M8
14	R Rear axle shaft



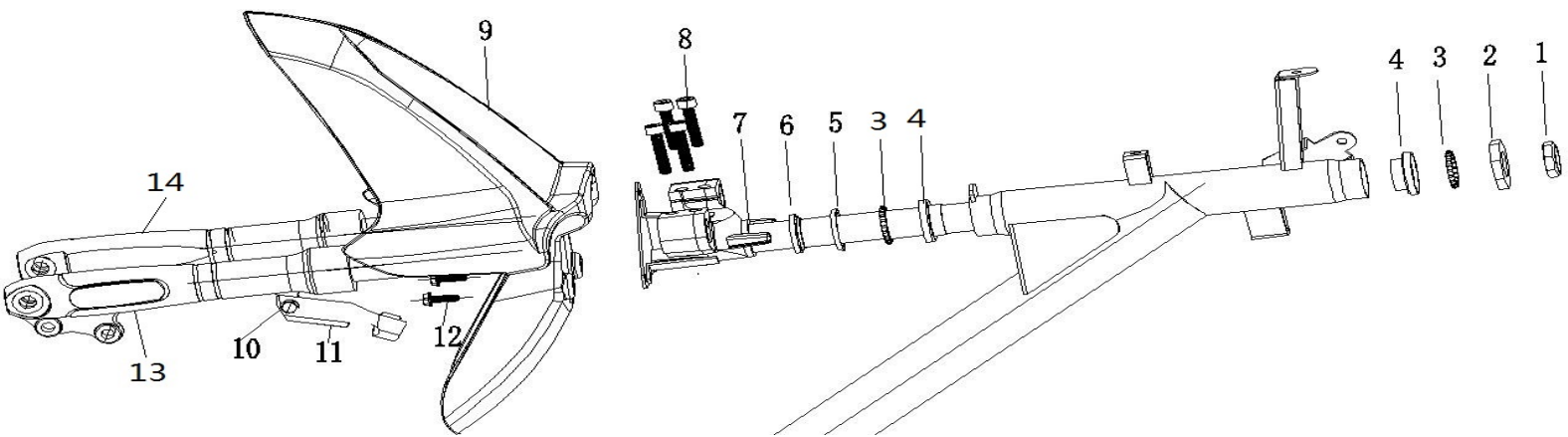
1	Main Frame
3	Rear shock absorber ass'y
8	Rear fork
10	Seat's lock



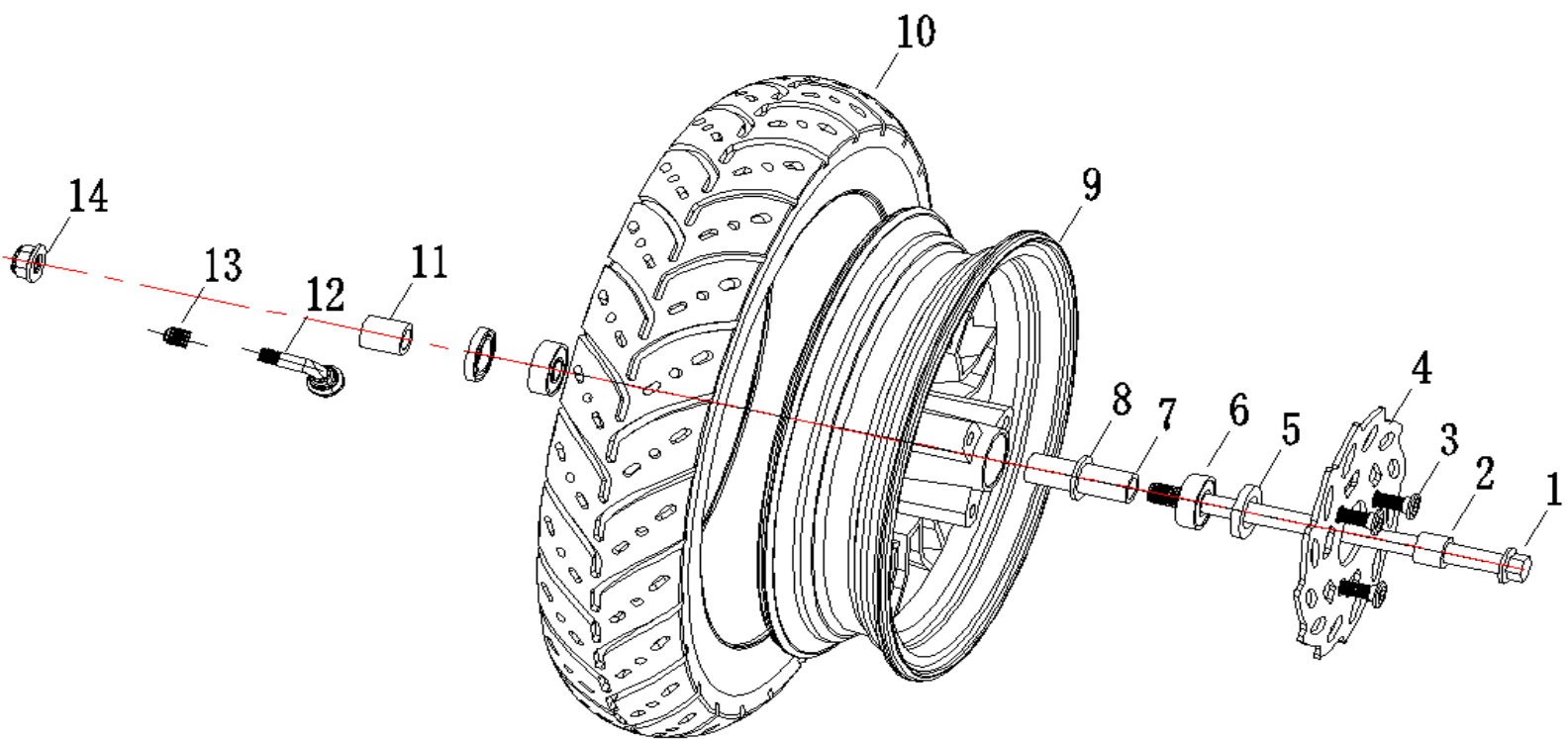
1	Vacuum tire (3.00-10)
2	Rear wheel rim
3	RR.Tire valve
4	RR.Tire valve Cap
5	Rear wheel Decorative cover



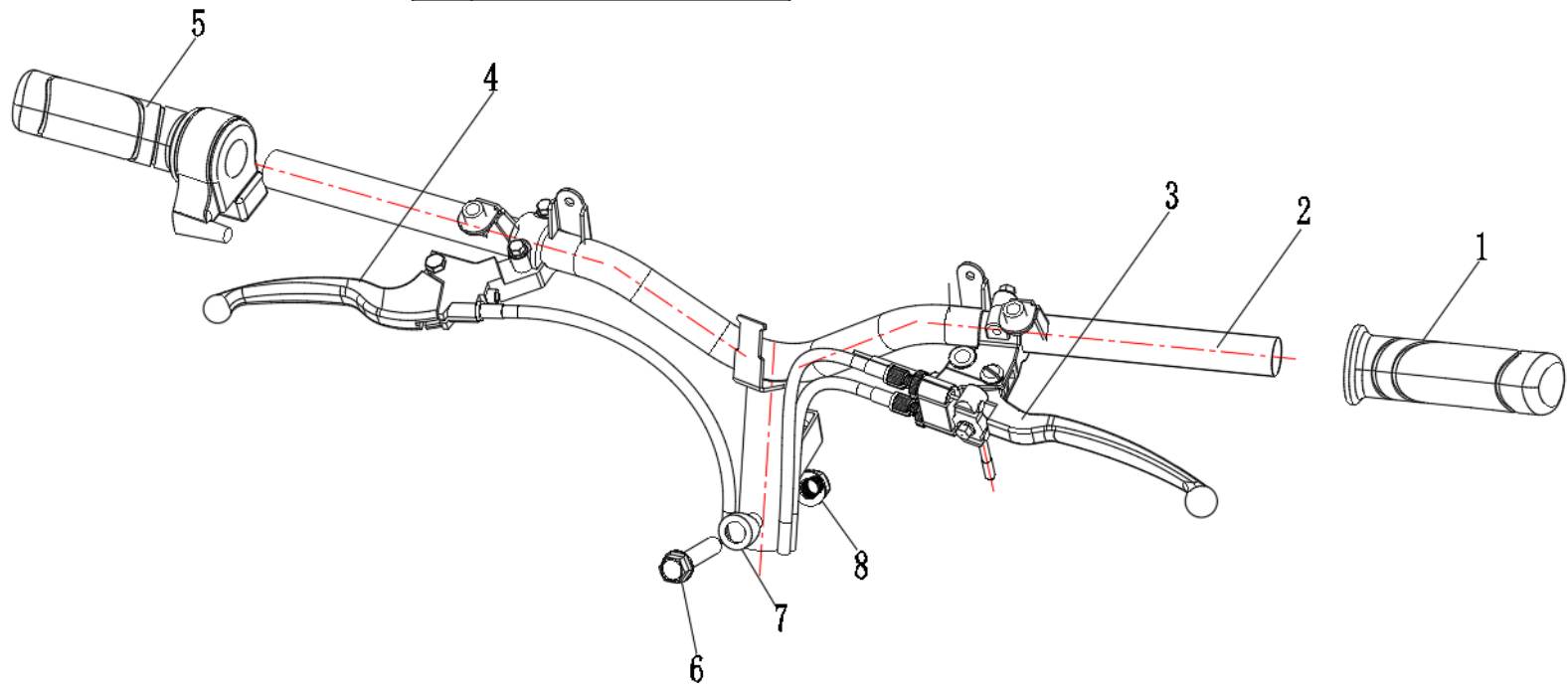
1	Lock nut
2	Top threader
3	Steering ball upper
4	Steering cone race upper
5	Dust cover
6	Steering cone race bottom
7	Steering stem comp
9	Front fender
11	Tubing clamps
13	Front cushion ass'y L.
14	Front cushion ass'y R.



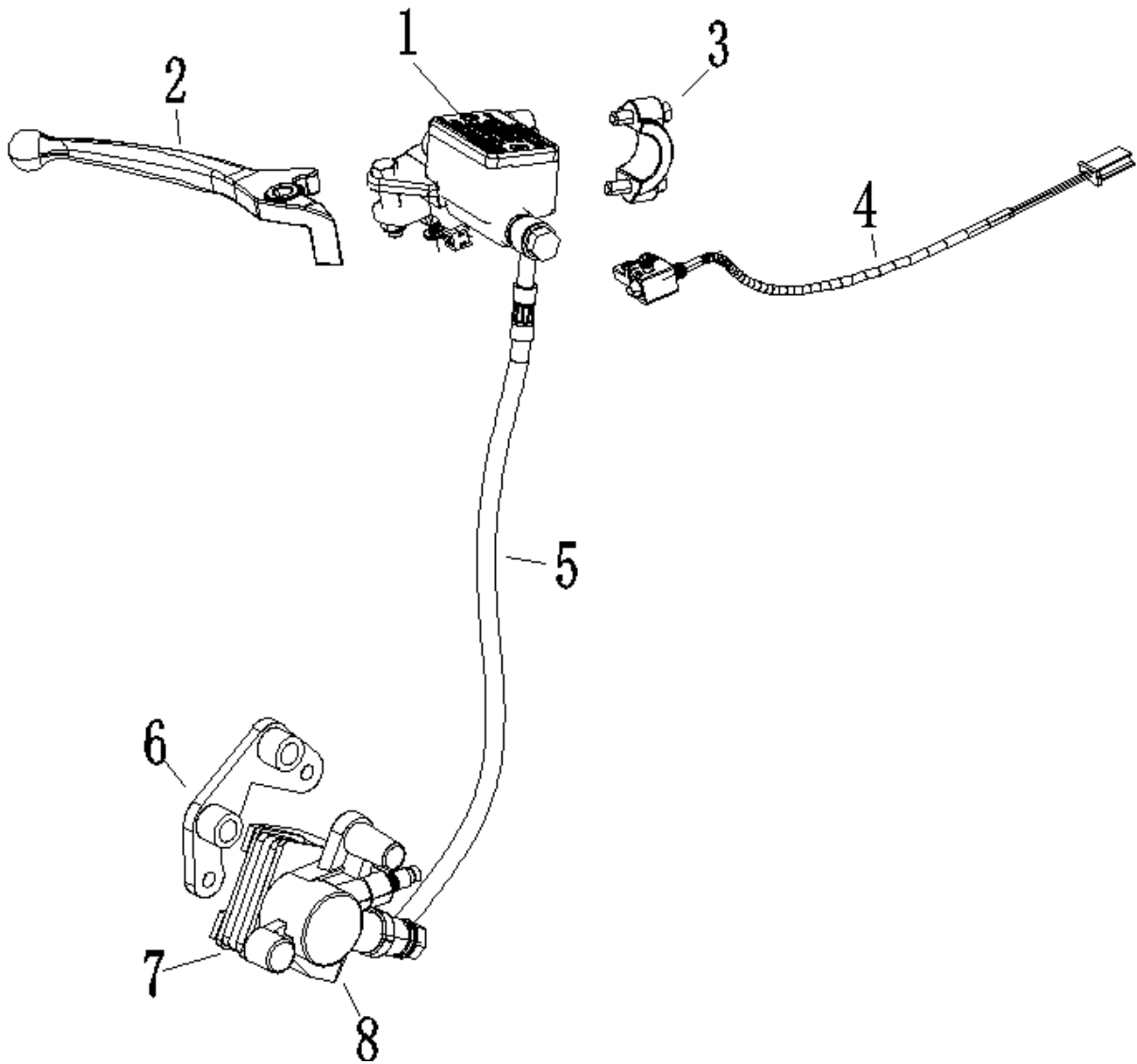
1	Front wheel axle
7	Limit bushing
8	Limit bushing ring
4	Front brake disk
5	Oil seal
6	Bearing6201
9	Casting front rim MT2.15x10
10	Vacuum tire (3.00-10)
11	Front wheel distance collar L
12	RR.Tire valve
13	RR.Tire valve Cap



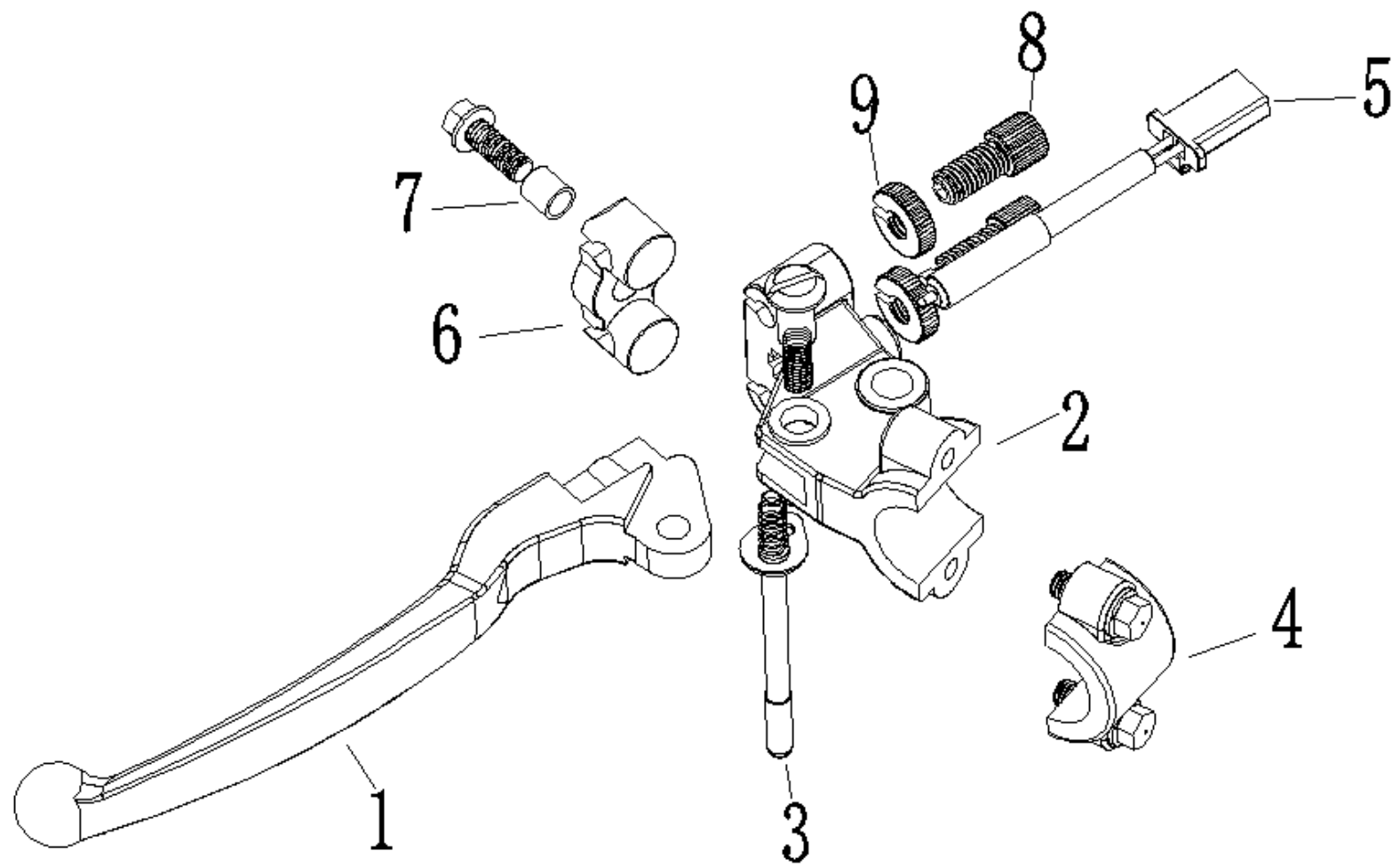
1	throttle
2	steering bar



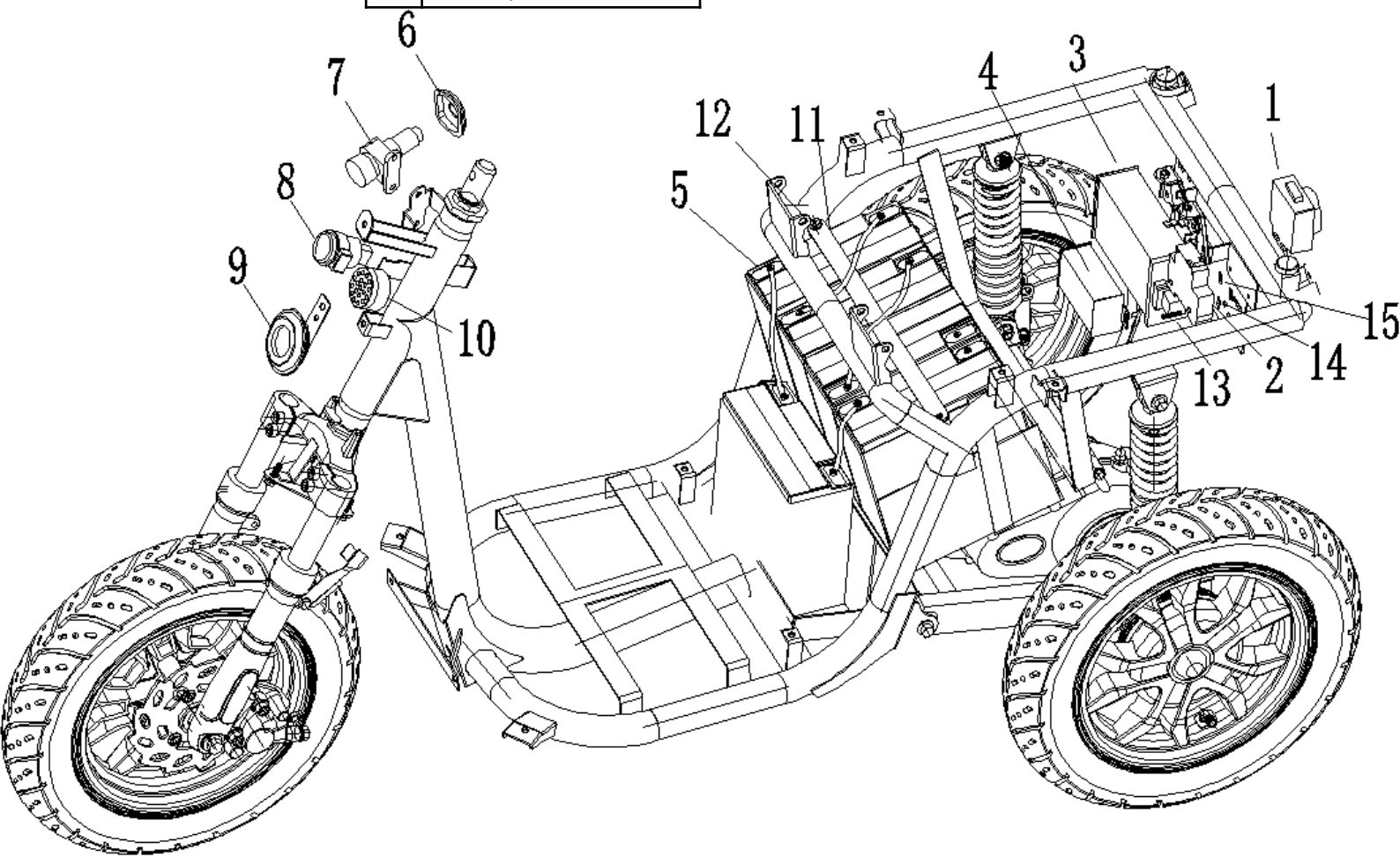
Front brake



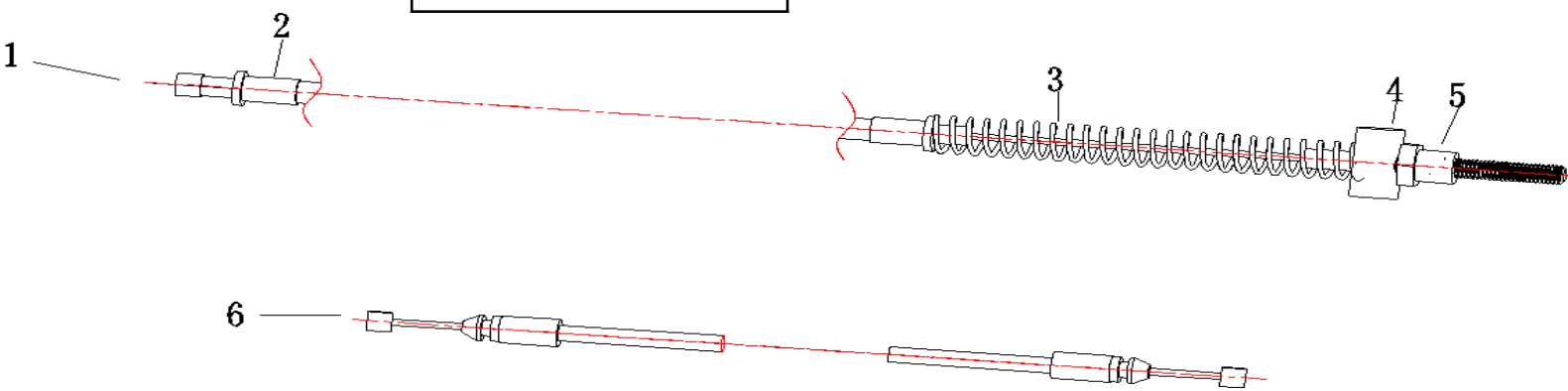
Rear brake



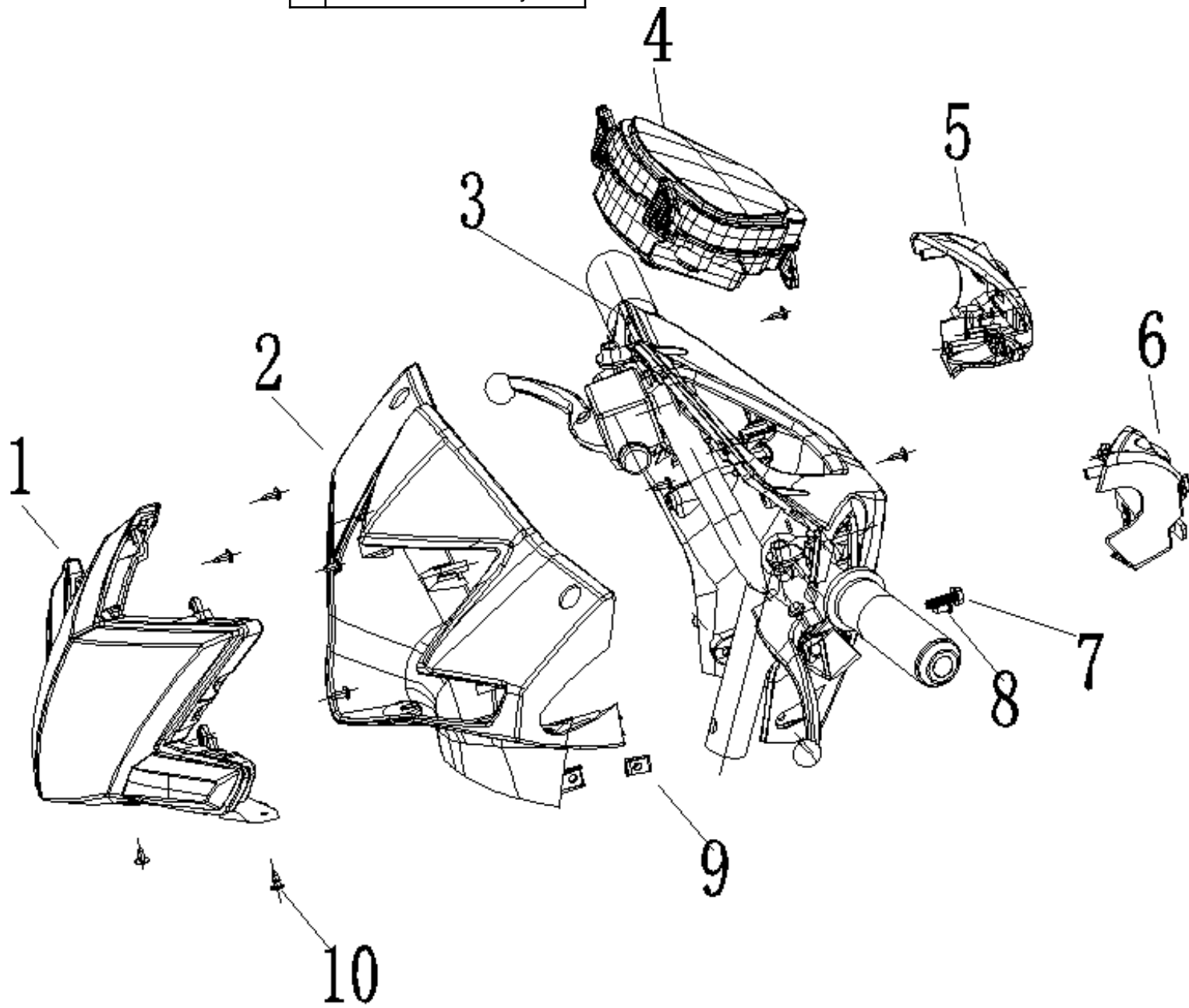
1	Alarm
2	Main switch
3	Controller
3,1	Auto brake Controller
4	D/C
5	batteries 60V20Ah
5,1	batteries 48V20Ah
6	cover of lock
7	switch
8	flasher
9	horn
10	reversing horn
11	iron parts on the battery
15	electric parts base



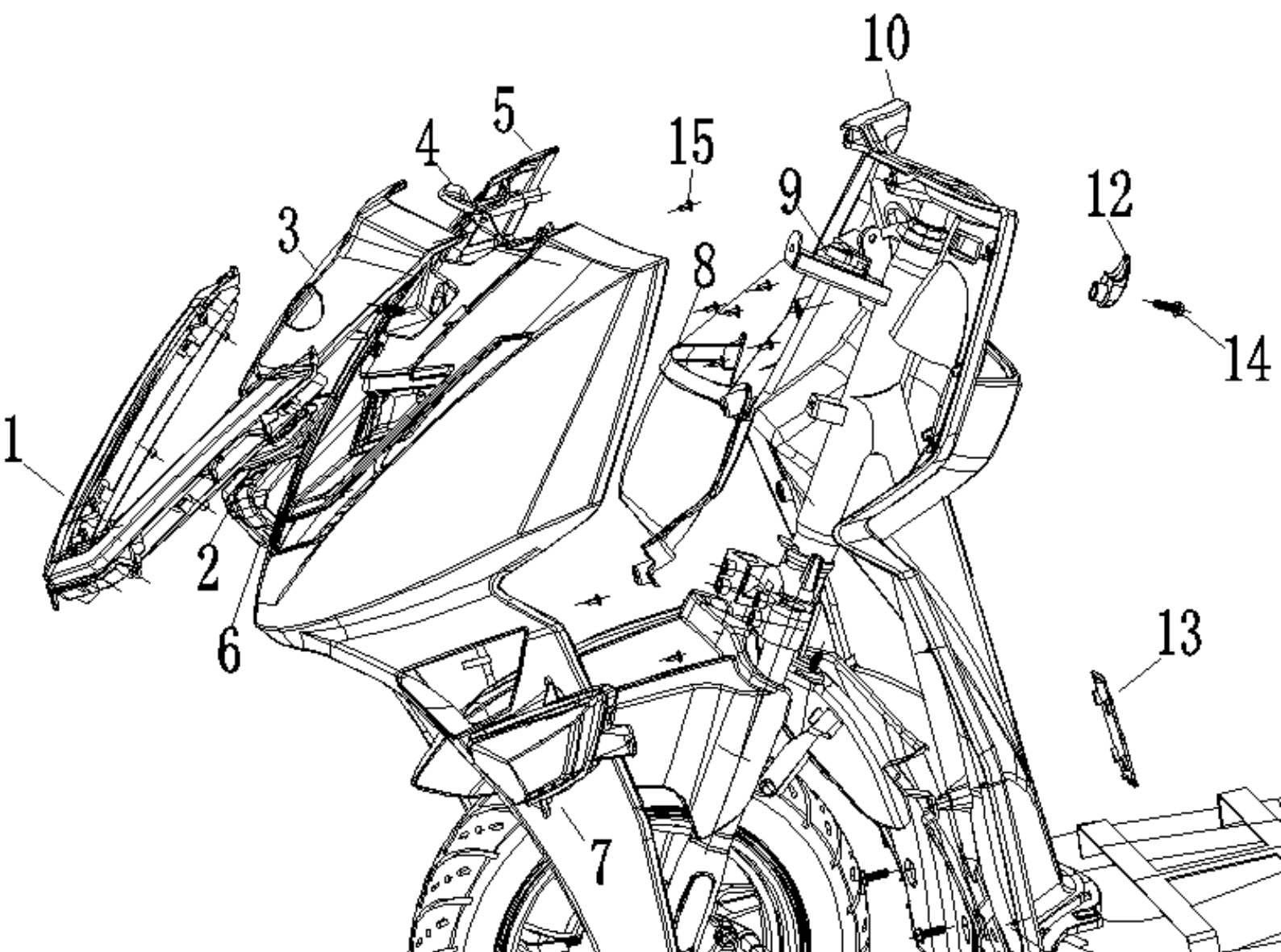
Brake line



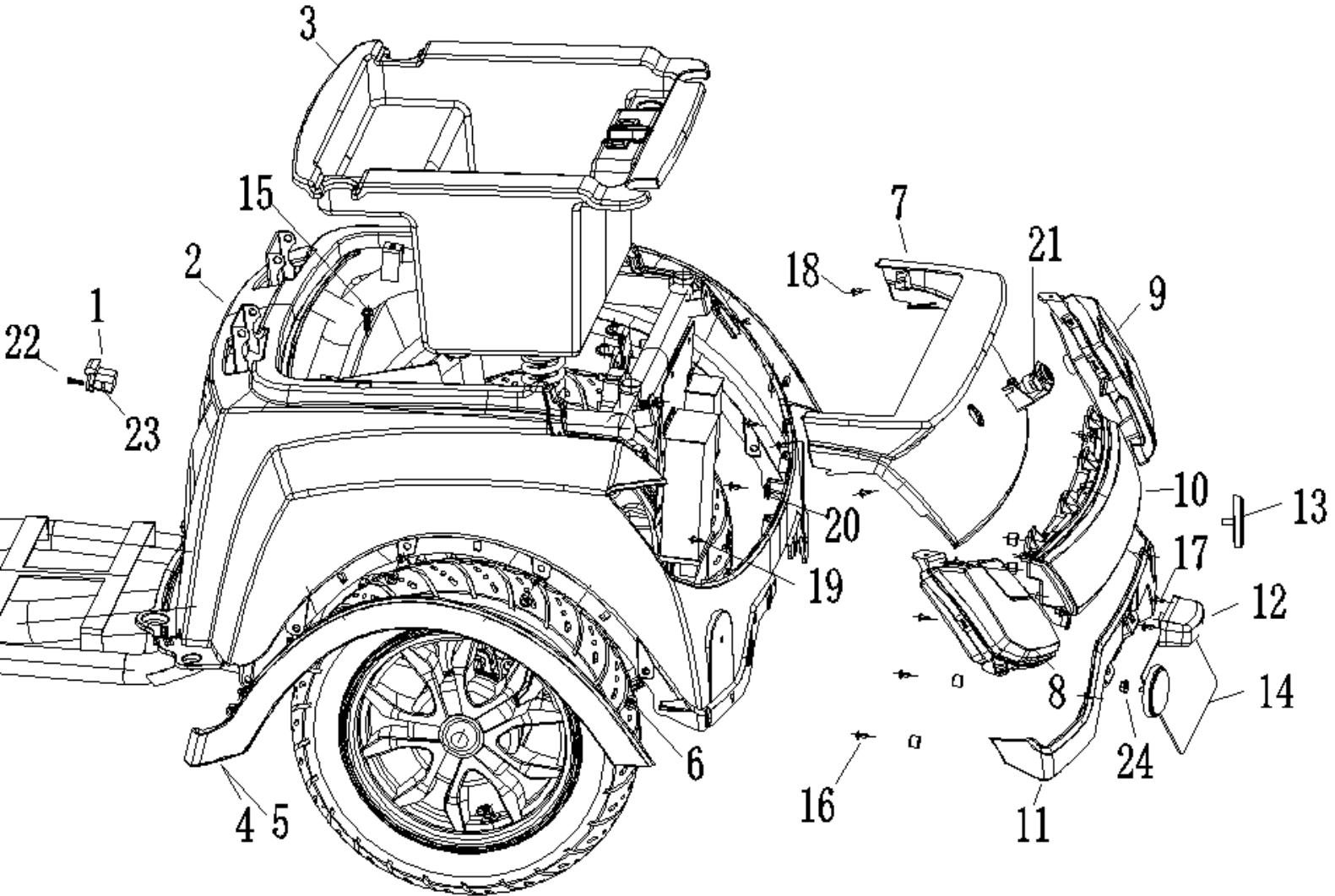
1	Head light
2	Handle bar front cover
3	Handle bar rear cover
4	Speedometer ass'y
5	L. handle switch ass'y
6	R.handle switch ass'y



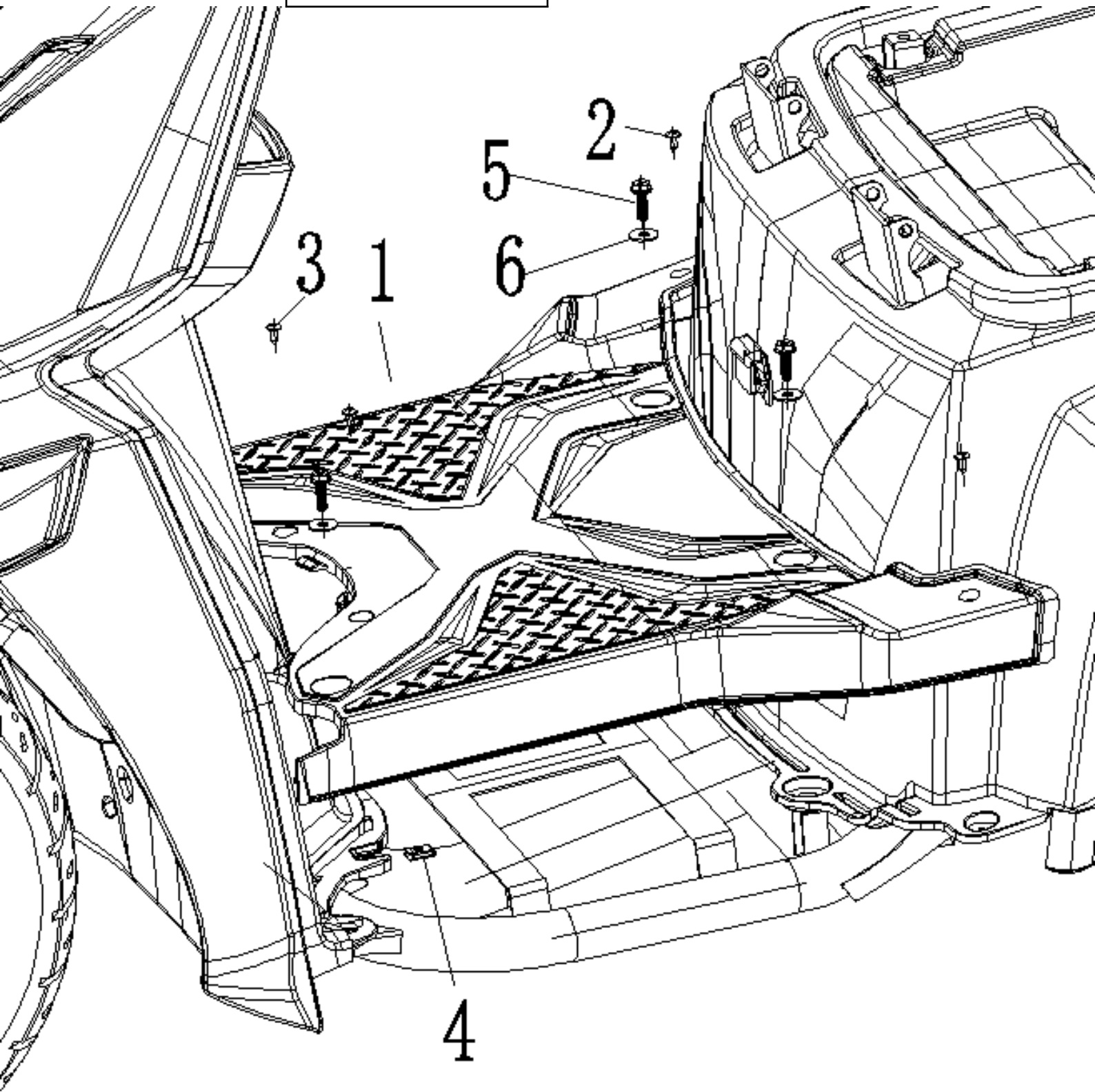
1	Decorative light assembly
2	Front plate ventilation grid.
3	Front cover trim
4	Tool box connection cover
5	Front cover
6	Front winker light (L)
7	Front winker light (R)
8	Tool box inner cover
9	USB charger
10	Tool box
11	Frame body front fender
12	Hook
13	Frame number cover



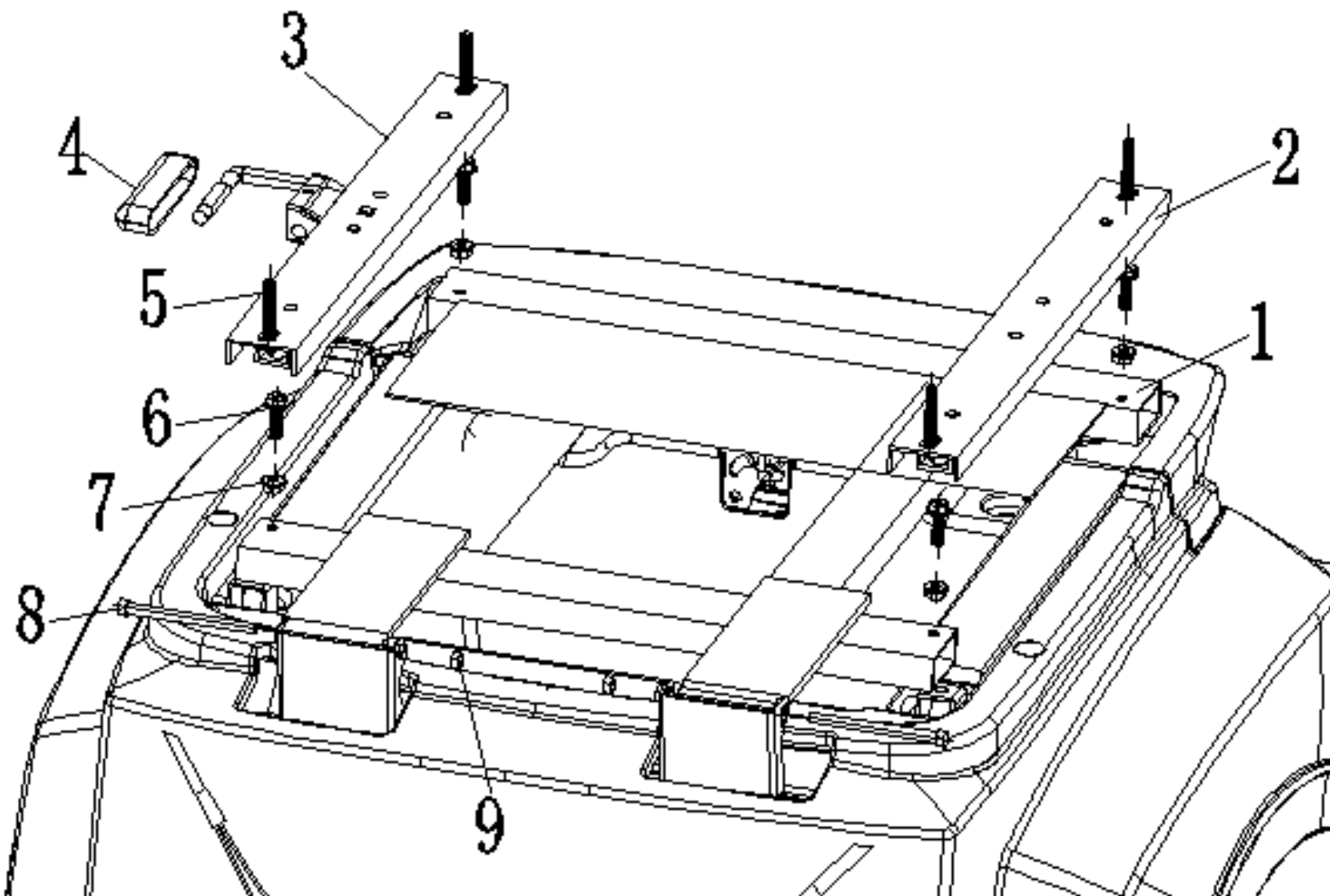
1	Charger plug with cable
2	Body cove
3	Luggage box
4	L Rear fender
5	R Rear fender
6	Rear fender bushing
7	Body cover junction plate
8	Rear winker light(L.)
9	Rear winker light(R.)
10	Tail light
11	Tail cover
12	Rr.license plate lamp
13	Side reflector (RED)



Foot rest



Seat bracket ass'y



Whole seat

